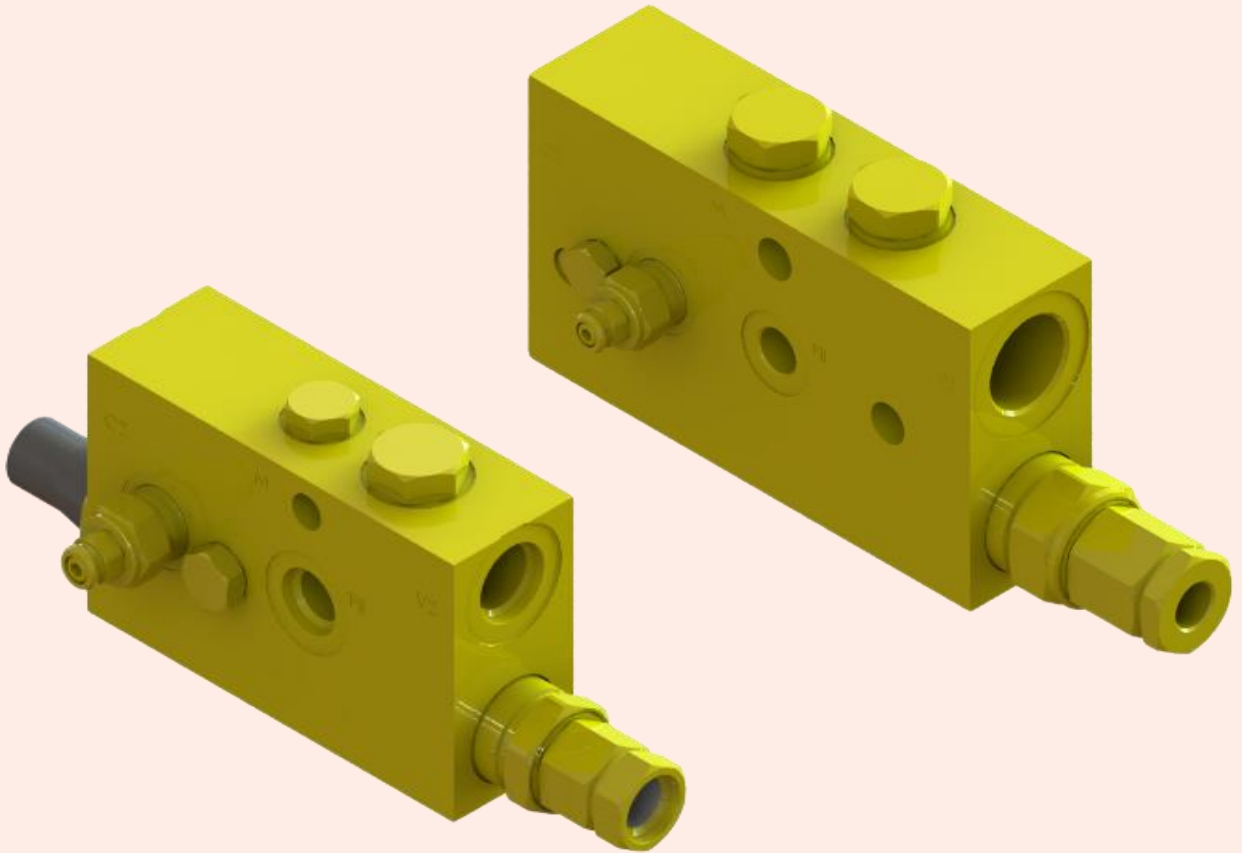
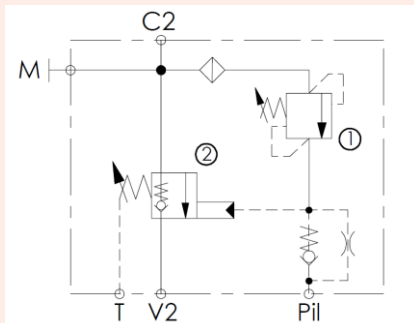


INLINE HOSE BURST CHECK VALVES



TECHNICAL DATA:



Maximum operating pressure:	420 bar
Rated flow:	up 180 l/min
Manifold material:	Steel
Surface treatment:	Zinc plating
Main ports:	BSPP - JIS - SAE
Operating temperature:	-20/+200°C (Viton seals)

DESCRIPTION:

A new range of ISO 8643 compliant, inline hose burst check valves is now available, allowing faster movement during lifting and softer opening during load lowering and relieving.

We offer standard BSPP, JIS and SAE threaded port connections, as well as tailored solutions made on your special dimensional needs.

Main features:

- Robust design
- Reduce pressure drop (up to 30% lower compared to market standards)
- Improved metering performance (longer stroke of main piston, availability of special metering pistons)